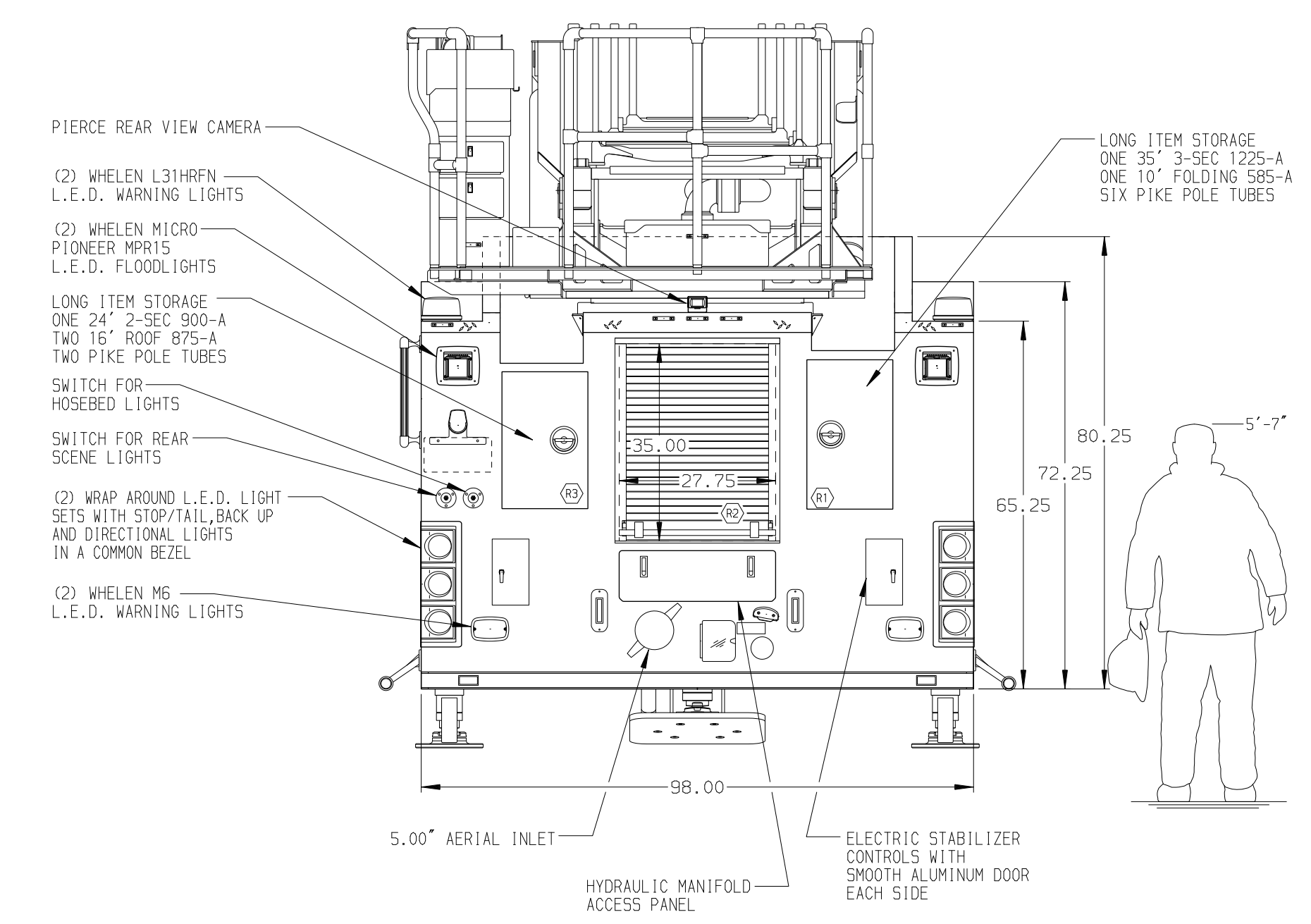
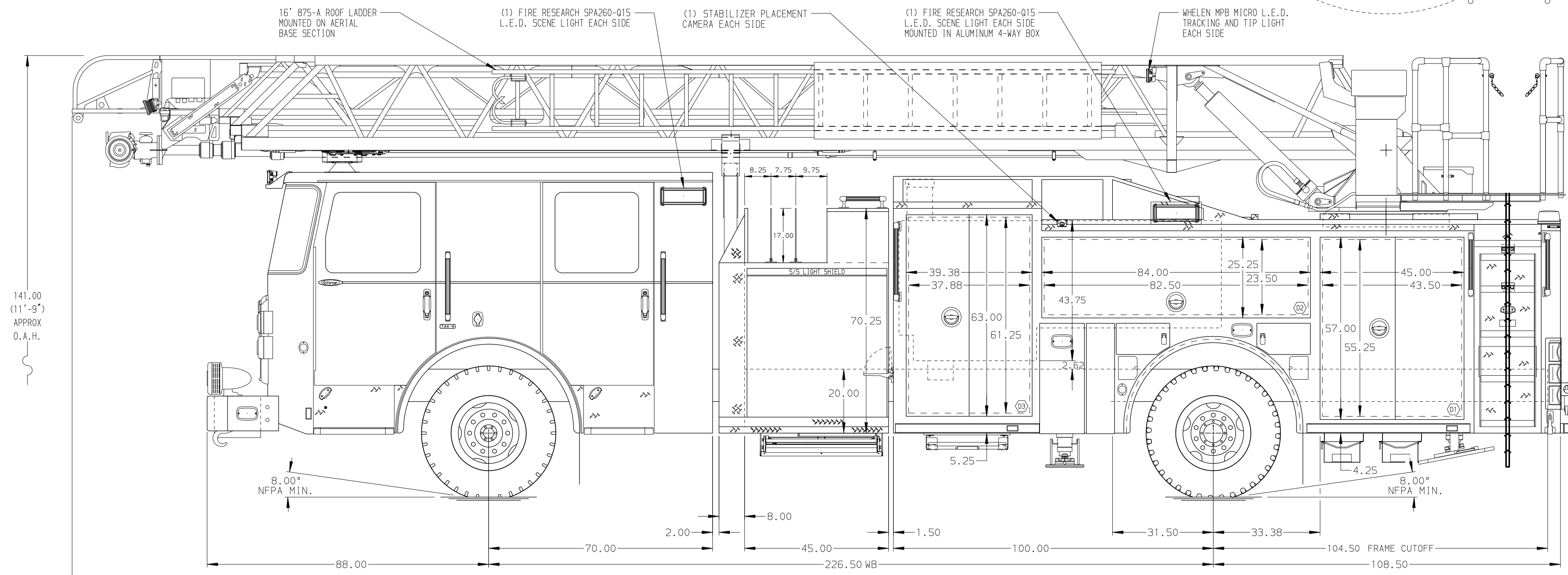
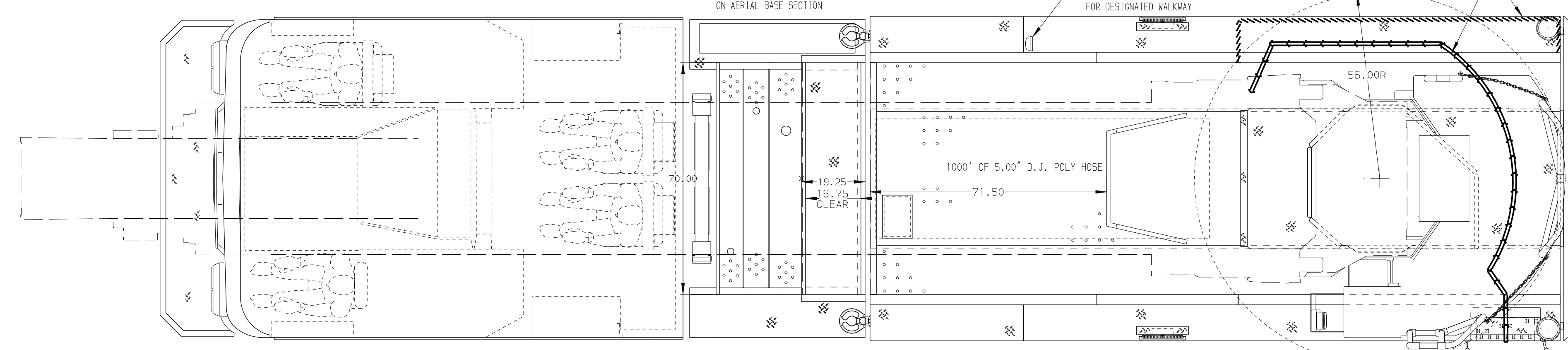


<p>BODY</p> <p>107' ASL Aluminum Body</p> <p>COMPT, DRIVER SIDE FRONT Full Height Lap Forward</p> <p>COMPT, DRIVER SIDE REAR Full Height Lap Rearward</p> <p>COMPT, PASSENGER SIDE FRONT Full Height Lap Forward</p> <p>COMPT, PASSENGER SIDE REAR Full Height Lap Rearward</p>	<p>WATER TANK</p> <p>500 Gallon Poly Water Tank</p> <p>Foam System</p> <p>Foam System Not Required</p> <p>Foam Cell</p> <p>Foam Cell Not Required</p>
--	--



<p>CHASSIS</p> <p>Enforcer Chassis</p> <p>ENGINE</p> <p>450 HP Cummins L9 Engine</p>	<p>CAB</p> <p>7000 Enforcer Cab</p> <p>BUMPER</p> <p>19" Extended Painted Steel</p>	<p>AXLE, FRONT, CUSTOM</p> <p>22,800 Lb TAK-4 Axle</p> <p>AXLE, REAR</p> <p>33,500 Lb Meritor Axle</p>	<p>TRANSMISSION</p> <p>Allison 5th Gen, 3000 EV5 P</p>	<p>PUMPHOUSE</p> <p>45" Control Zone Side Mount</p> <p>PUMP</p> <p>2000 GPM Waterous CSU</p>	<p>CROSSLAYS, 1.50"</p> <p>(2) 1.50" Standard Capacity</p> <p>CROSSLAYS, 2.50"</p> <p>(1) 2.50" Standard Capacity</p>	<p>SPEEDLAYS</p> <p>Speedlays Not Required</p> <p>GENERATOR</p> <p>Generator Not Required</p>	<p>SAFETY</p> <p>Side Roll and Frontal Impact Protection</p>
--	---	--	---	--	---	---	---

NOTE

DIMENSIONS SHOWN ARE APPROXIMATE AND ARE SUBJECT TO MINOR DEVIATIONS AS MAY OCCUR OR BE NECESSARY IN CONSTRUCTION. MINOR DETAILS NOT SHOWN.

- SHORELINE RECEPTACLE WITH KUSSMAUL SUPER AUTO-EJECT LOCATED ON DRIVER SIDE OF THE CAB
- AIR INLET WITH DISCONNECT COUPLING IN THE DRIVER SIDE STEPNELL
- BATTERY CHARGER LOCATED IN COMPARTMENT PER SHOP ORDER
- BATTERY CHARGE INDICATOR LOCATED ON THE DRIVER SIDE SEAT RISER
- SIX ADJUSTABLE SHELVES IN COMPARTMENTS PER SHOP ORDER
- TWO FLOOR MOUNTED SLIDE-OUT TRAYS IN COMPARTMENTS PER SHOP ORDER
- ONE SWING-OUT ALUMINUM TOOL BOARD IN COMPARTMENT PER SHOP ORDER
- TWO ALUMINUM REFRIGERATORS ON BACK WALL OF COMPARTMENTS PER SHOP ORDER
- 1500 GPM HIGH FLOW WATERWAY
- NON-RAISED AERIAL PEDESTAL
- NO LIMITED RETRACTION REQUIRED

<p>Pierce MANUFACTURING INC.</p>				<p>JOB NO. 32722</p>
<p>CHASSIS DATA</p>				<p>SCALE 1:24</p>
<p>TITLE 107' ASCENDANT AERIAL LADDER AND BODY ASSEMBLY</p>				<p>DATE 31MAY18</p>
<p>FOR TEXARKANA FIRE DEPARTMENT TEXARKANA, ARKANSAS</p>				<p>DRAWN BY TKA</p>
<p>DWG NO. 32722AD</p>				<p>CHECKED BY CRI</p>
<p>REV 14SEP18 TKA KBO</p>				<p>31JUL18</p>
<p>REV 07AUG18 TKA KBO</p>				<p>SHEET SIZE D</p>
<p>ENFORCER</p>				<p>SHEET NO. 1 OF 1</p>