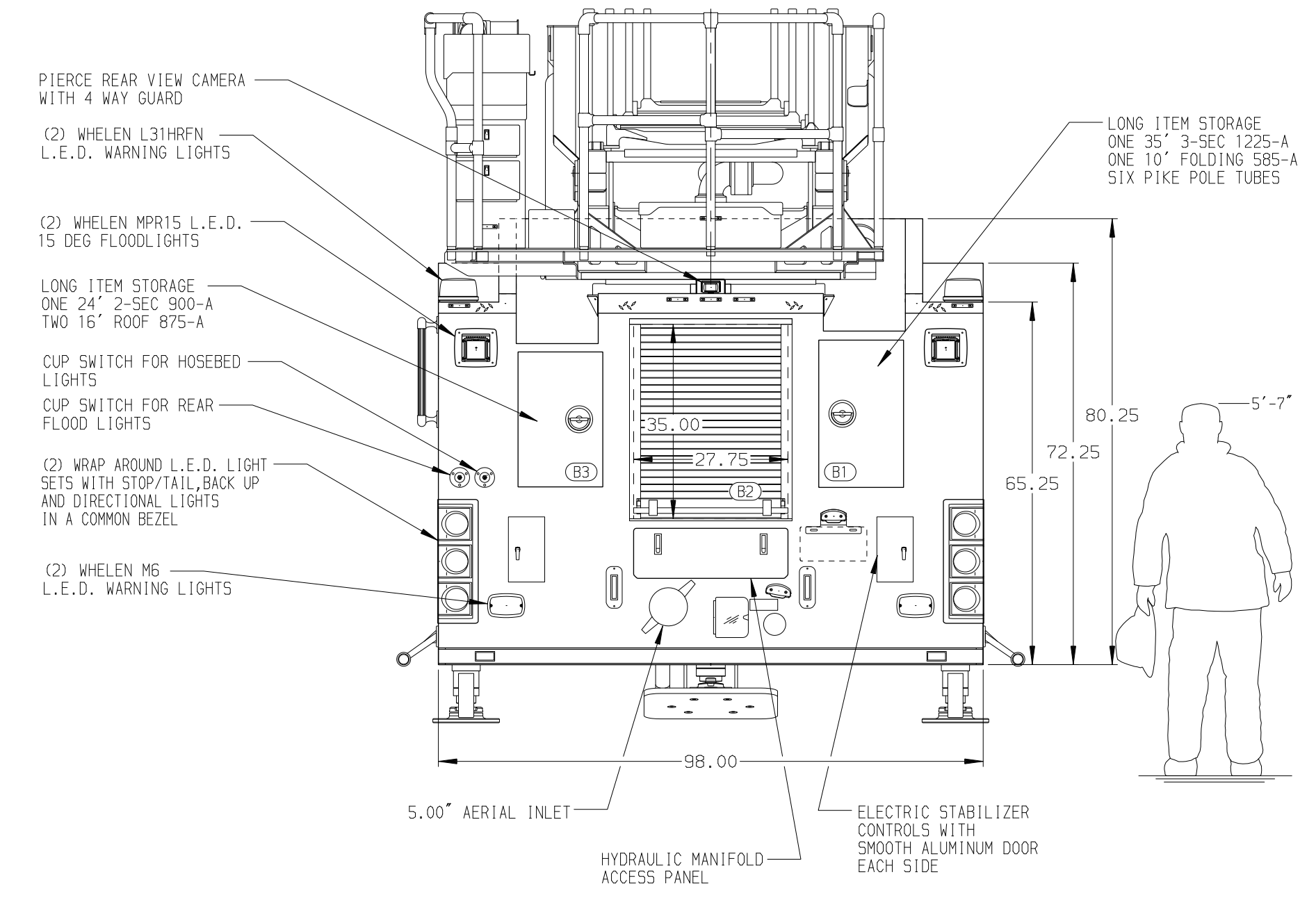
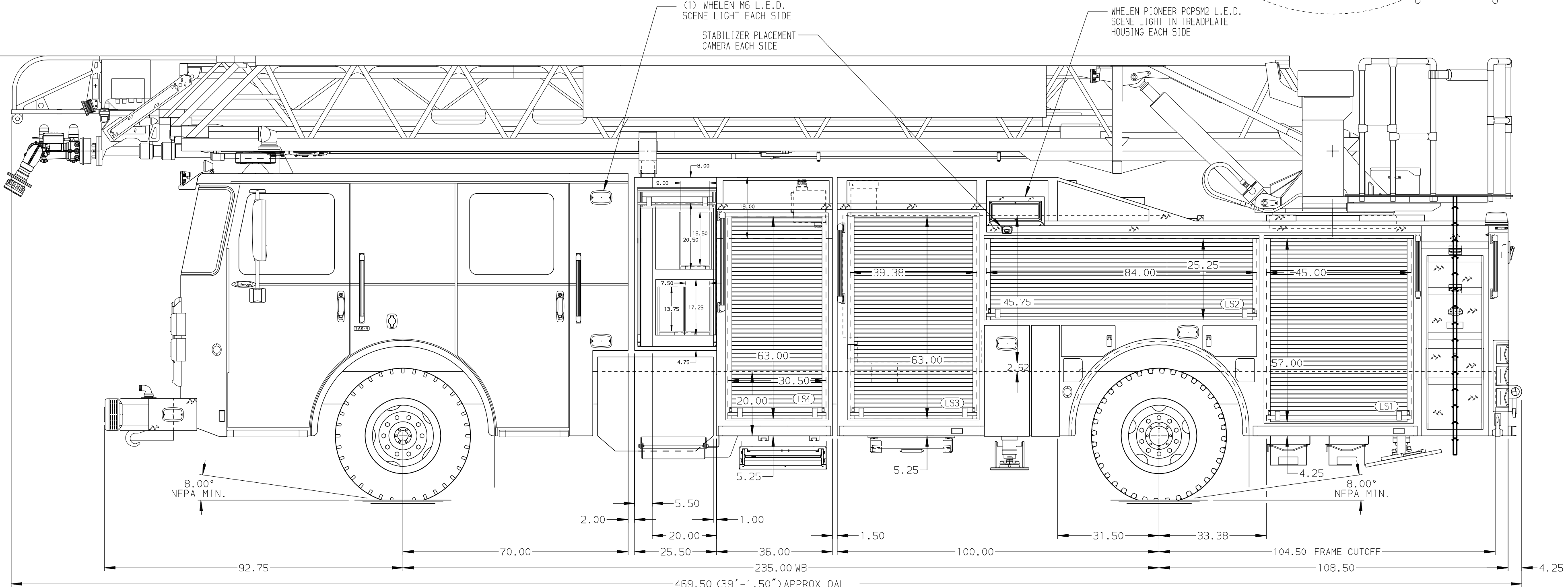


BODY 107' ASL Aluminum Body PUC COMPT, LEFT SIDE FRONT Full Height RollUp Forward COMPT, LEFT SIDE REAR Full Height RollUp Rearward COMPT, RIGHT SIDE FRONT Full Height RollUp Forward COMPT, RIGHT SIDE REAR Full Height RollUp Rearward	WATER TANK 530 Gallon Poly Water Tank Foam System Husky 12 Single Agent Foam System Foam Cell 30 Gallon Foam Cell, Non-Reducing, PUC
---------------------------------------------------------------------------------------------------------------------------------------------------------------------------------------------------------------------------------------------------------------------------------------------------------	--------------------------------------------------------------------------------------------------------------------------------------------------------------------------



CHASSIS Enforcer Chassis, PUC 450 HP Cummins L9 Engine	CAB 7000 Enforcer Cab, PUC BUMPER 19" Extended Stainless Steel	AXLE, FRONT, CUSTOM 22,800 Lb TAK-4 Axle AXLE, REAR 33,500 Lb Meritor Axle	TRANSMISSION Allison 5th Gen, 3000 EV5 P	PUMPHOUSE Control Zone, PAL/PAP PUC PUMP 1500 GPM Pierce PUC	CROSSLAYS, 1.50" (2) 1.50", Full Width Trays, 200' CROSSLAYS, 2.50" (1) 2.50", Full Width Tray, 200'	SPEEDLAYS Speedlays Not Required GENERATOR Generator Not Required
---------------------------------------------------------------------	---------------------------------------------------------------------------------------	---------------------------------------------------------------------------------------------------	----------------------------------------------------	-------------------------------------------------------------------------------------	-----------------------------------------------------------------------------------------------------------------------------	------------------------------------------------------------------------------------------

NOTE
DIMENSIONS SHOWN ARE APPROXIMATE AND ARE SUBJECT TO MINOR DEVIATIONS AS MAY OCCUR OR BE NECESSARY IN CONSTRUCTION. MINOR DETAILS NOT SHOWN.

- ONE 1.50 OUTLET WITH 2.00 PIPING AND SWIVEL LOCATED ON TOP OF BUMPER
- SHORELINE RECEPTACLE WITH KUSSMAUL SUPER AUTO-EJECT LOCATED ON DRIVER SIDE OF THE CAB
- AIR INLET WITH DISCONNECT COUPLING IN THE DRIVER SIDE STEPWELL
- BATTERY CHARGER LOCATED IN COMPARTMENT PER SHOP ORDER
- BATTERY CHARGE INDICATOR LOCATED ON THE DRIVER SIDE SEAT RISER
- NINE ADJUSTABLE FULL WIDTH/DEPTH SHELVES IN COMPARTMENTS PER SHOP ORDER
- FOUR FLOOR MOUNTED SLIDE-OUT TRAYS IN COMPARTMENTS PER SHOP ORDER
- ONE SWING OUT ALUMINUM TOOLBOARD IN COMPARTMENT PER SHOP ORDER
- ONE VERTICAL PARTITION IN COMPARTMENT PER SHOP ORDER
- ONE ALUMINUM PEGBOARD WITH TRACKS ON THE BACK WALL OF COMPARTMENT PER SHOP ORDER
- ELEVEN PULL STRAPS ON ROLL-UP DOORS PER SHOP ORDER
- NON-RAISED AERIAL PEDESTAL
- 1500 GPM HIGH FLOW WATERWAY
- NO LIMITED RETRACTION

				CHASSIS DATA	TITLE 107' ASCENDANT AERIAL LADDER AND BODY ASSEMBLY FOR SPRINGDALE FIRE DEPT. SPRINGDALE, ARKANSAS DWG NO. 32866AD	JOB NO. 32866
				MAKE PIERCE		SCALE 1:24
27SEP18	TKA	KBO		REV	CHECKED BY GRM	DATE 02JUL18
22AUG18	TKA	SHE			SHEET SIZE D	SHEET NO. 1 OF 1