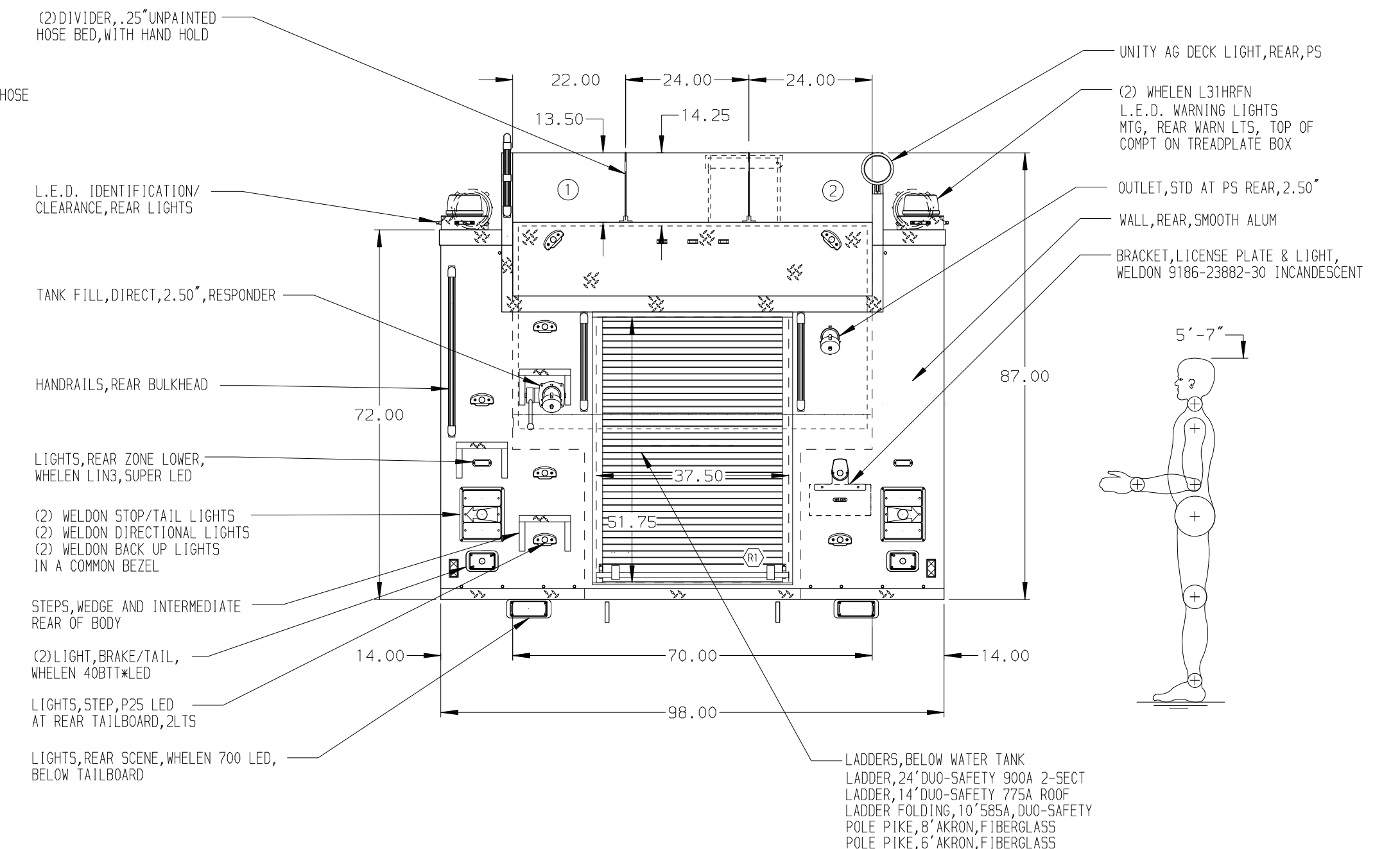
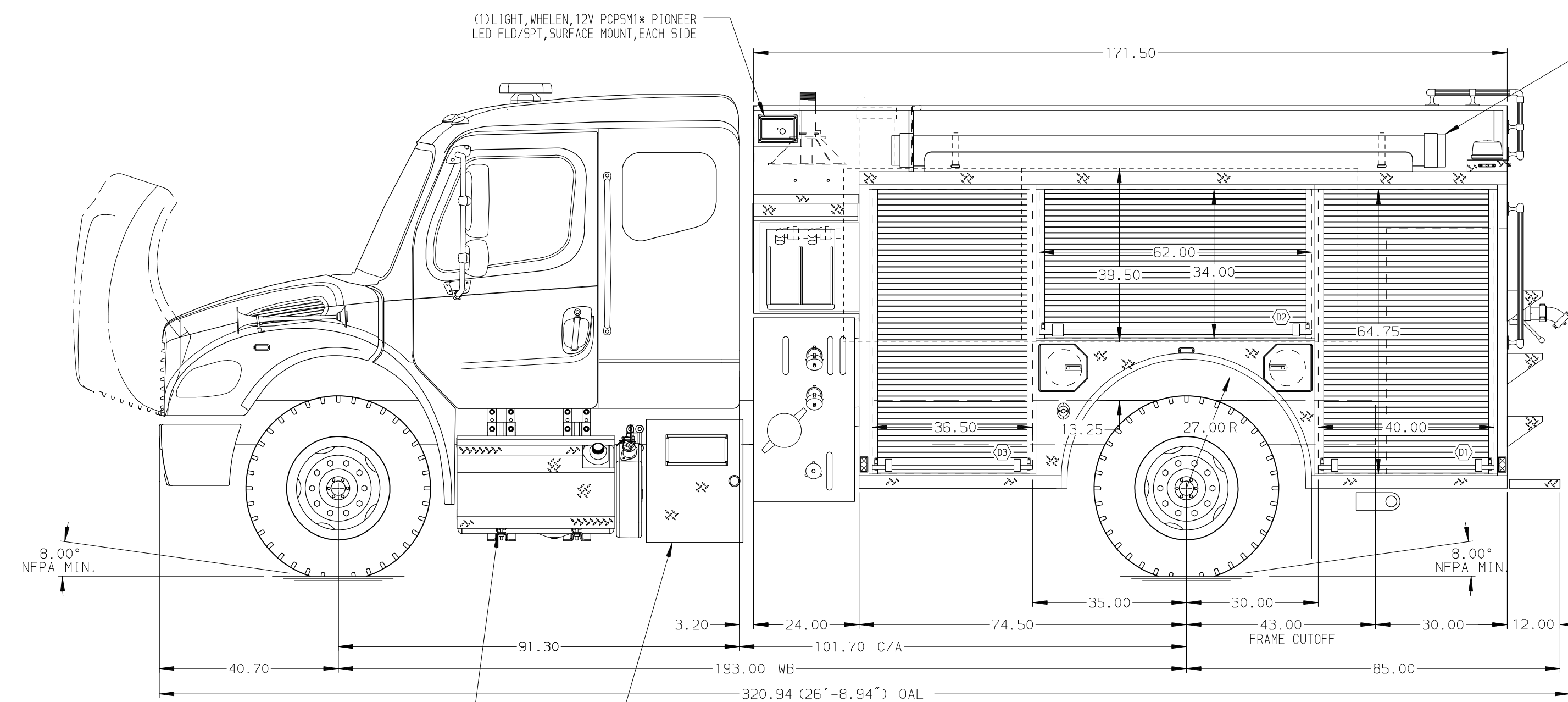


HOSEBED CAPACITIES

① 400' OF 1.50" D.J. RUBBER HOSE

② 1500' OF 2.50" D.J. POLYESTER HOSE



STEP PACKAGE, DELUXE ALUM 4-WAY, FUEL TANK, 50GAL, ALUM, LH ONLY, FL DEF TANK 6.0 GALLON, LH, FL

REEL, BOOSTER, HANNEY, BELOW EXT'D CAB, DS SWITCH, REEL REWIND-ONE AT REEL HOSE BOOSTER, 100' OF 1.00"/800 PSI CAPACITY, HOSE REEL 100' OF 1"

ALUMINUM BODY

NOTE
DIMENSIONS SHOWN ARE APPROXIMATE AND ARE SUBJECT TO MINOR DEVIATIONS AS MAY OCCUR OR BE NECESSARY IN CONSTRUCTION. MINOR DETAILS NOT SHOWN.

REV	DATE	BY	CH	MODEL
12JUN15	RWI	-		M2 106

PIERCE MANUFACTURING INC. BRADENTON, FLORIDA		JOB NO.	29095
		SCALE	1:24
TITLE	1250-D-1000 POLY 147.5" BODY DS & PS FULL HEIGHT (2) SPEEDLAYS	DATE	
FOR	RIDGLEY TN FIRE DEPARTMENT RIDGLEY, TN	DRAWN BY	JLA 06MAY15
DWG NO.	29095AD	CHECKED BY	RWI 08MAY15
		SHEET SIZE	D
		SHEET NO.	1 OF 1