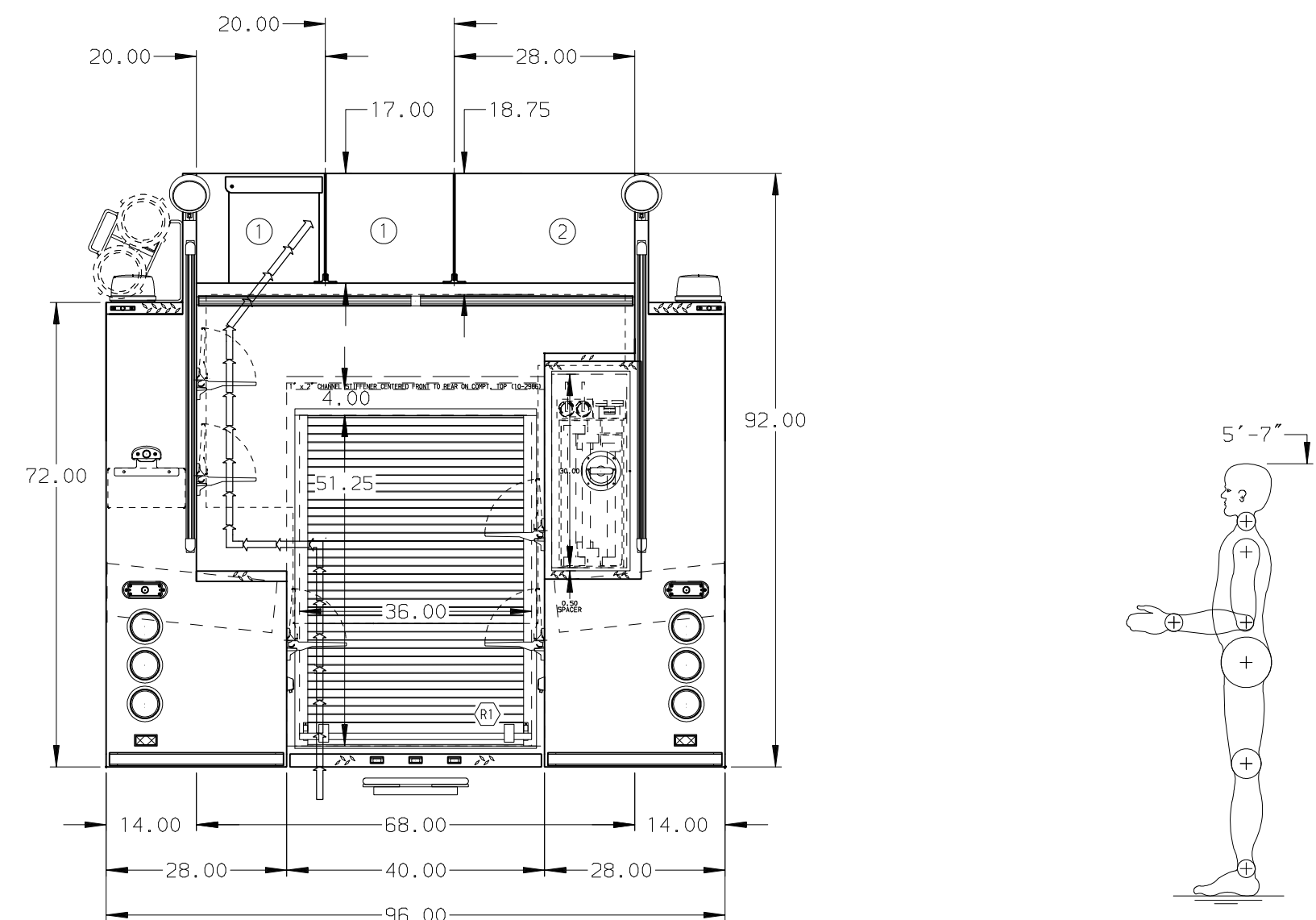
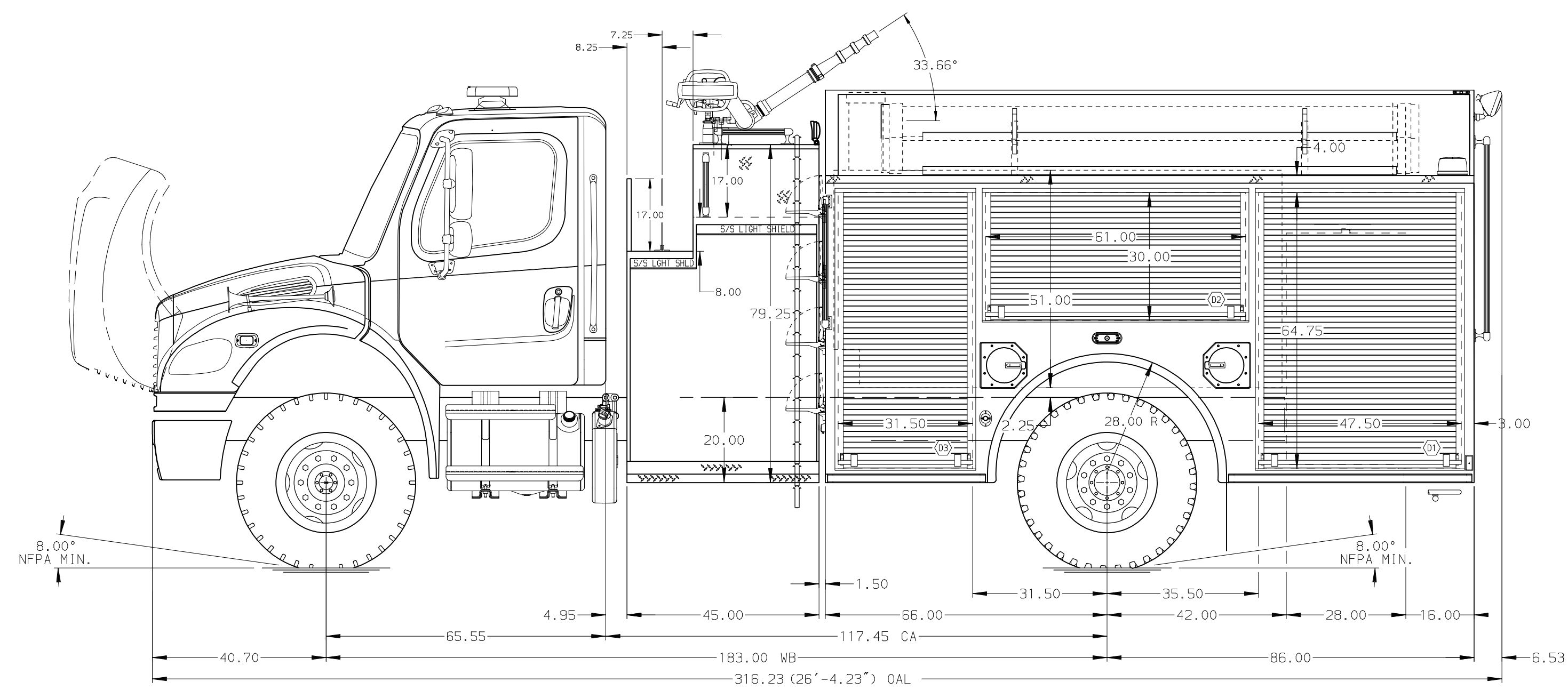


- HOSEBED CAPACITIES
- ① 1000' OF 5.00" D.J.POLY HOSE
 - ② 1000' OF 3.00" D.J.POLY HOSE



ALUMINUM BODY

MAXIMUM O.A.H. 113"

NOTE
DIMENSIONS SHOWN ARE APPROXIMATE
AND ARE SUBJECT TO MINOR DEVIATIONS
AS MAY OCCUR OR BE NECESSARY IN
CONSTRUCTION.
MINOR DETAILS NOT SHOWN.

REV	DATE	BY	CH
-	-	-	-

	TITLE	1500-D-1000 POLY, 152" BODY, DS&PS FULL HGT FDLER	JOB NO.	PRLIM
	MAKE	FL	SCALE	DATE
	MODEL	M2-106	DRAWN BY	JLA
	DWG NO.	04-5186	CHECKED BY	BOD DUDLEY
			SHEET SIZE	D
			SHEET NO.	1 OF 1