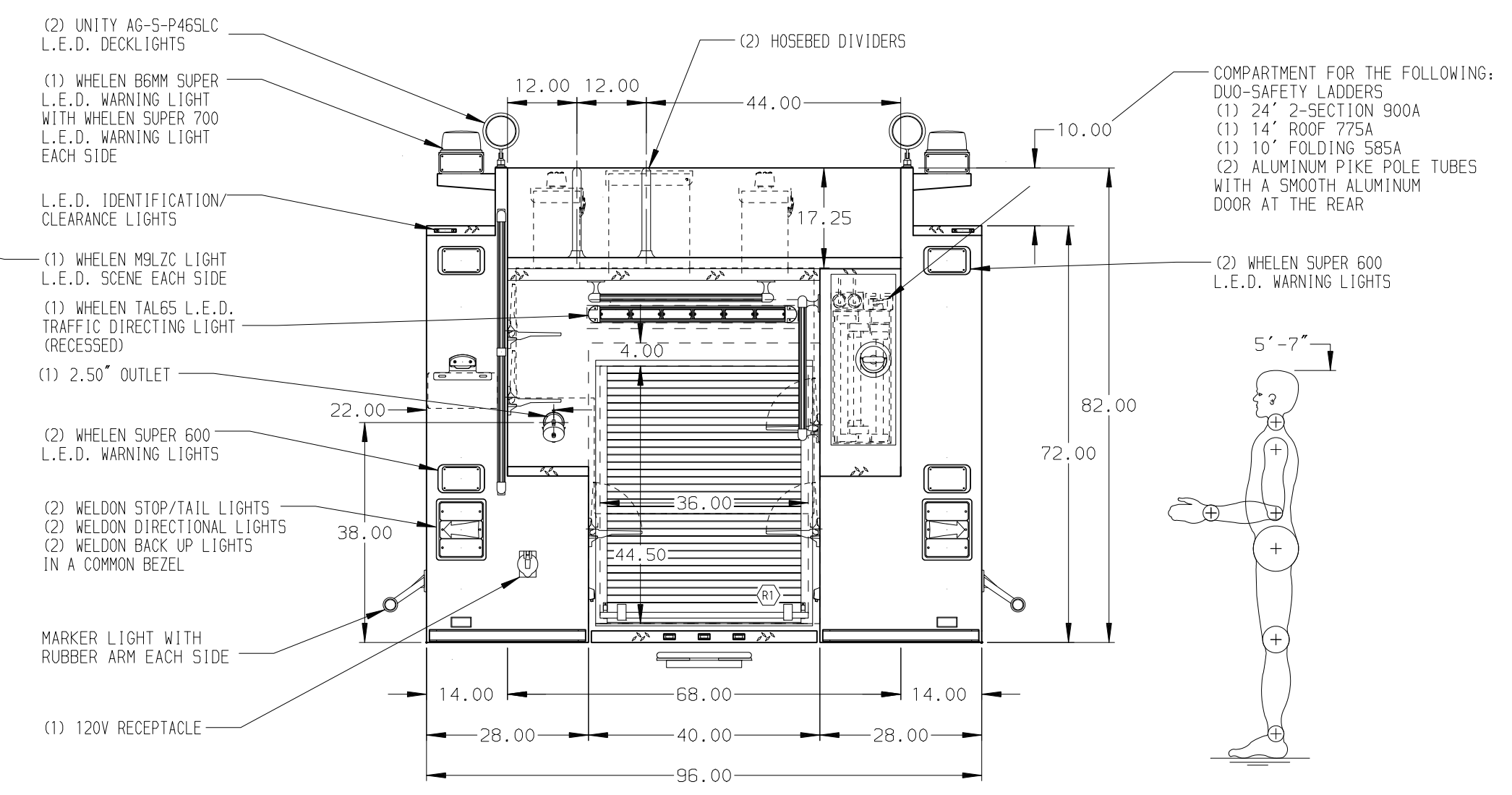


- HOSEBED CAPACITIES**
- ① - 300' OF 2.50\"/>



ALUMINUM BODY

FRONTAL IMPACT PROTECTION

NOTE
DIMENSIONS SHOWN ARE APPROXIMATE AND ARE SUBJECT TO MINOR DEVIATIONS AS MAY OCCUR OR BE NECESSARY IN CONSTRUCTION. MINOR DETAILS NOT SHOWN.

1. ONSPOT AUTOMATIC TIRE CHAINS TO BE PROVIDED AT REAR
2. MOUNTING BASES FOR ANTENNAS LOCATED PER SHOP ORDER
3. BATTERY CHARGER LOCATED BEHIND DRIVER'S SEAT
4. BATTERY CHARGE INDICATOR LOCATED ON D.S. SEAT RISER WITH BRACKET
5. S/STL PROTECTIVE GUARD FOR ROLL-UP DOOR LOCATED ON COMPARTMENTS D1, D2, D3, P1, P2, P3 & R1
6. AMDR L.E.D. COMPARTMENT DUAL LIGHT STRIPS LOCATED PER SHOP ORDER
7. ONE ADJUSTABLE SHELF (FULL DEPTH/FULL WIDTH) IN COMPARTMENTS D1, D3, P1, P3 & R1
8. ONE FLOOR MOUNTED SLIDE-OUT TRAY LOCATED IN COMPARTMENTS D1, P1, AND P3
9. ALL FOLDING STEPS TO BE TRIDENT WITH INTEGRATED L.E.D. LIGHT UNLESS SPECIFIED
10. CIRCUIT BREAKER PANEL IN COMPARTMENT P1
11. ONE HANNAY ELECTRIC REWIND CORD REEL MODEL 1616-17-18 LOCATED IN CARGO AREA WITH 150' OF 10/3 CABLE & AKRON JUNCTION BOX
12. PIERCE LOGO MUDFLAPS FRONT AND REAR
13. STAINLESS STEEL FENDER CROWNS ON CAB AND BODY
14. AIR BOTTLE HOLDER WITH TRACKS IN COMPARTMENT D2
15. TURTLE TILE MATTING W/RAMP ON FLOORS OF COMPARTMENTS D2, D3, P2 & R1
16. TURTLE TILE MATTING ON SHELVES IN COMPARTMENTS D1, P1 & P3
17. ONE SWING-OUT TOOLBOARD PER BOARD LOCATED IN COMPARTMENT P2
18. STAINLESS STEEL SCUFFPLATE ON CAB DOOR JAMBS
19. PAINTED SHELF TRACKS LOCATED IN COMPARTMENTS D1, D3, P1, P3, R1
20. PEGBOARD W/TRACKS LOCATED ON THE REAR WALL OF COMPARTMENT P2

CUSTOMER APPROVAL

APPROVED BY: _____			
DATE: _____			
CHASSIS DATA	TITLE	1500-D-750P W/25 GAL & 30 GAL FOAM CELL, 161\"/>	
MAKE	FOR	CITY OF JONESBORO FIRE DEPARTMENT JONESBORO, ARKANSAS	
MODEL	DWG NO.	29139AD	
REV	DATE	BY	CH



JOB NO.	29139
SCALE	1:24
DATE	
DRAWN BY	JWO
CHECKED BY	KBO
SHEET NO.	1 OF 1