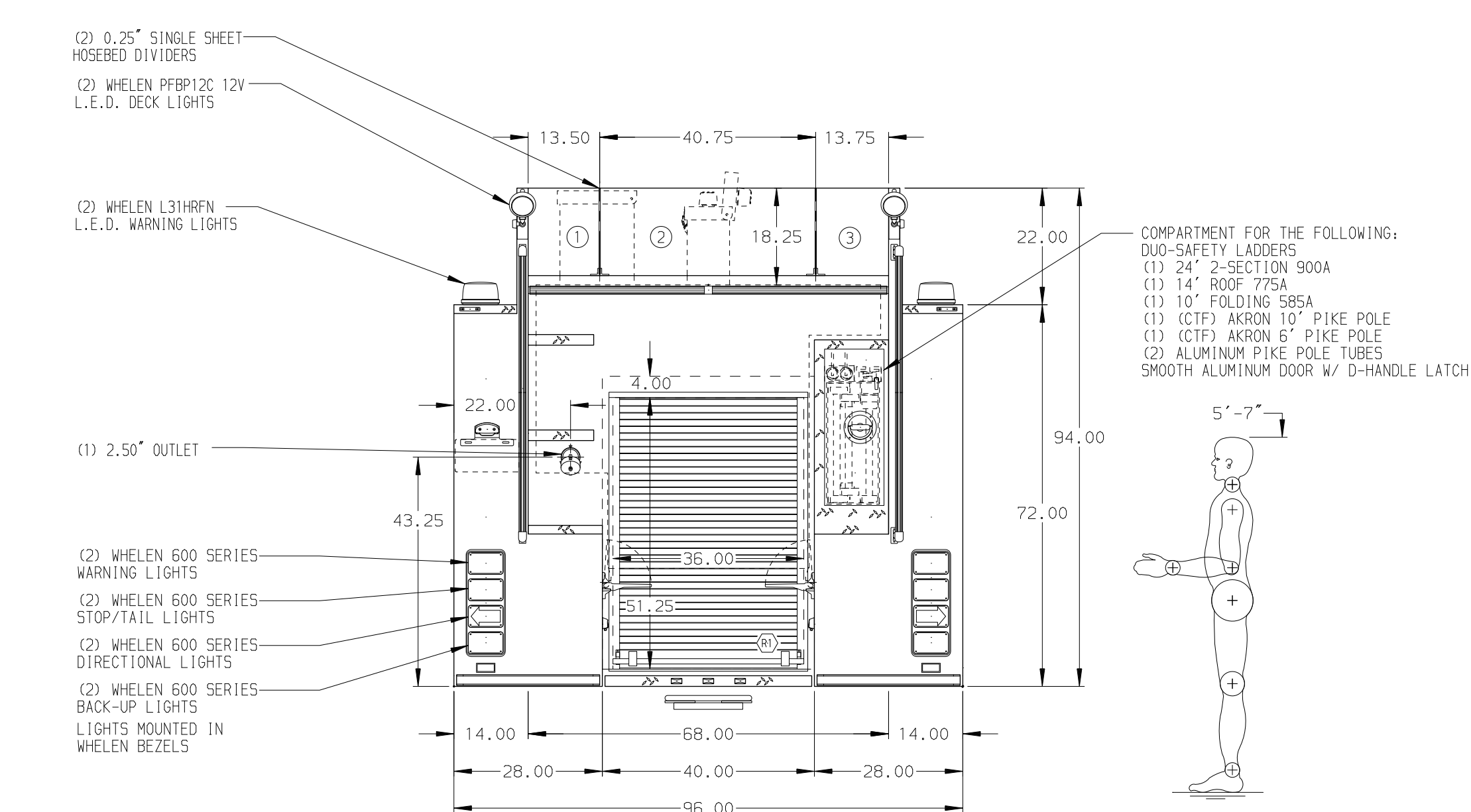


- HOSEBED CAPACITIES
- ① 500' OF 2.50" D.J. HOSE
  - ② 1000' OF 5.00" D.J. HOSE
  - ③ 500' OF 2.50" D.J. HOSE



ALUMINUM BODY

NOTE  
DIMENSIONS SHOWN ARE APPROXIMATE AND ARE SUBJECT TO MINOR DEVIATIONS AS MAY OCCUR OR BE NECESSARY IN CONSTRUCTION. MINOR DETAILS NOT SHOWN.

				<b>Pierce MANUFACTURING INC.</b>		JOB NO.	32046
						SCALE	1:24
						DATE	
				CHASSIS DATA		TITLE	1500-D-1000P, 975 GAL WATER W/ 25 GAL FOAM, 152" PUMPER BODY, SIDE CONTROL, LADDERS BESIDE TANK
				MAKE		FOR	PIERCE FIELD UNIT
				PIERCE			BRADENTON, FLORIDA
				MODEL		DWG NO.	32046AD
REV	DATE	BY	CH	SABER	FR	SHEET NO.	1 OF 1