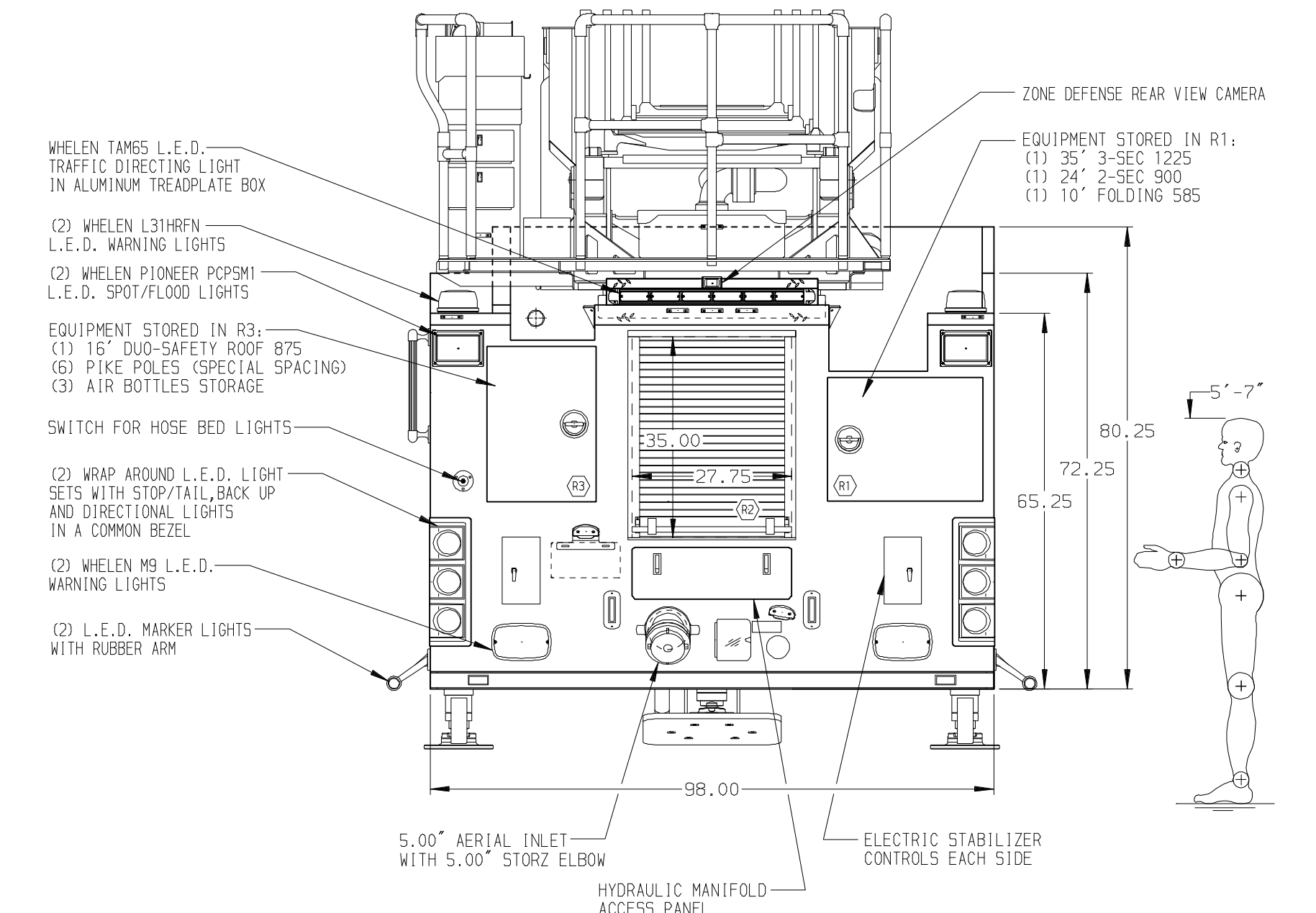
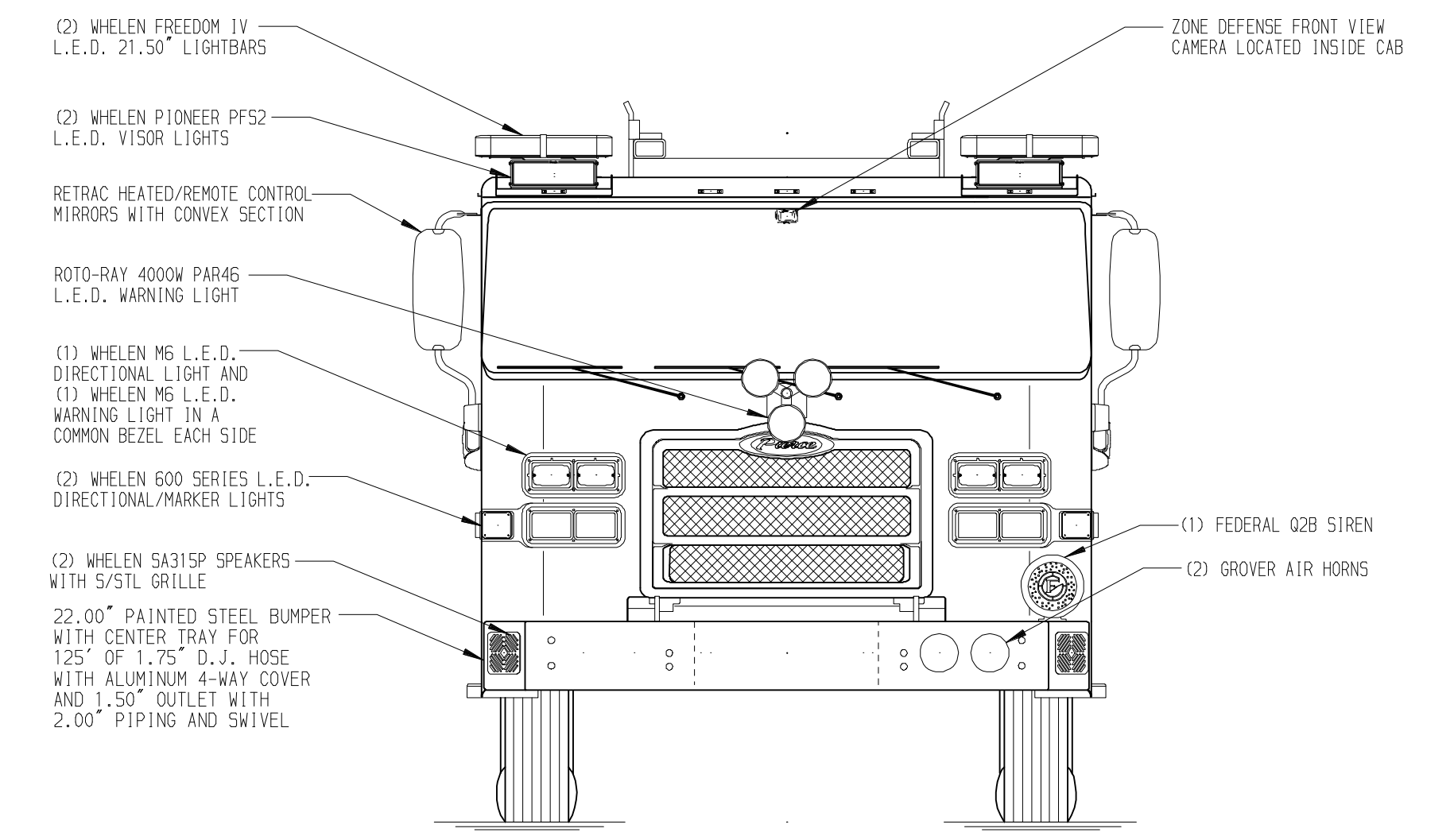


ALUMINUM BODY SIDE ROLL & FRONTAL IMPACT PROTECTION

NOTE
DIMENSIONS SHOWN ARE APPROXIMATE AND ARE SUBJECT TO MINOR DEVIATIONS AS MAY OCCUR OR BE NECESSARY IN CONSTRUCTION. MINOR DETAILS NOT SHOWN.

- BATTERY CHARGER LOCATED BEHIND DRIVER SEAT
- ONE ADJUSTABLE FULL WIDTH/FULL DEPTH SHELF IN COMPARTMENTS D1,D3,R2
- ONE ADJUSTABLE SLIDE-OUT TRAY IN COMPARTMENT D3
- ONE FLOOR MOUNTED SLIDE-OUT TRAY WITH 2" SIDES IN COMPARTMENTS D1,D3; TWO IN P3
- ONE ADJUSTABLE TOOL BOARD MOUNTED TO EACH SLIDE-OUT TRAY IN COMPARTMENT P3
- POLY MOUNTING BOARD IN COMPARTMENT D3
- CIRCUIT BREAKER PANEL IN COMPARTMENT D3
- ONE HANNAY ELECTRIC REWIND CORD REEL MODEL 1618-17-18 WITH 200' OF 10/3 CORD AND CAPTIVE ROLLER ASSEMBLY IN COMPARTMENT P3
- 2-WAY INTERCOM SYSTEM BETWEEN AERIAL TIP AND TURNTABLE

- L.E.D. LIGHTING ON AERIAL LADDER SECTIONS
- LIFTING EYE ROPE RESCUE ATTACHMENT AT AERIAL TIP
- DUAL L.E.D. LIGHT STRIPS LOCATED IN HOSE BED
- AIR INLET WITH DISCONNECT COUPLING RECESSED IN TREADPLATE BOX AT D.S. STEP WELL
- ONSPOT AUTOMATIC TIRE CHAINS TO BE PROVIDED AT REAR
- 1500 GPM HIGH FLOW WATERWAY
- WIRELESS MONITOR REMOTE CONTROL NEAR THE PUMP PANEL
- TWO ADDITIONAL POLY TRAYS SHIPPED LOOSE
- NO LIMITED RETRACTION ON AERIAL FLY SECTION



CUSTOMER APPROVAL				Pierce MANUFACTURING INC.		JOB NO.	32095
APPROVED BY: _____						SCALE	DATE
DATE: _____						1:24	
CHASSIS DATA				TITLE	107' ASCENDANT AERIAL LADDER AND BODY ASSEMBLY		
MAKE				FOR	500 GALLON TANK - 460 WATER/40 FOAM		
PIERCE				FOR	CROSSVILLE FIRE DEPARTMENT		
MODEL				DWG NO.	32095AD		
REV	DATE	BY	CH	ENFORCER	SHEET NO. 1 OF 1		
02FEB18	MWA	GRM			SHEET SIZE D		