

Pumper, PUC
BODY

Pumper, PUC, Aluminum

CHASSIS

Enforcer Chassis, PUC

CHASSIS
AXLE, FRONT, CUSTOM

18,000 Lb Dana Axle

AXLE, REAR

27,000 Lb Dana Axle

ENGINE

450 HP Cummins L9 Engine

TRANSMISSION

Allison 5th Gen, 3000 EVS P

BUMPER

19" Extended Painted Steel

CAB

7010 Enforcer Cab, PUC

BODY

WATER TANK

750 Gallon Poly Water Tank

COMPT, PUMPER, REAR

40.50' FF RollUp Rear Compt w/Tailboard, PUC

COMPT, PUMPER, DRIVER SIDE

177" RollUp Full Height & Depth Front & Rear, PUC

COMPT, PUMPER PASS. SIDE

177" RollUp Full Height & Depth Front & Rear, PUC

FIRE SUPPRESSION
PUMPHOUSE

Control Zone, PUC

PUMP

1500 GPM Pierce PUC

CROSSLAYS, 1.50"

(2) 1.50", Poly Trays, 200'

CROSSLAYS, 2.50"

(1) 2.50", Poly Tray, 200'

GENERATOR

Generator Not Required

Foam System

Foam System Not Required

Foam Cell

Foam Cell Not Required

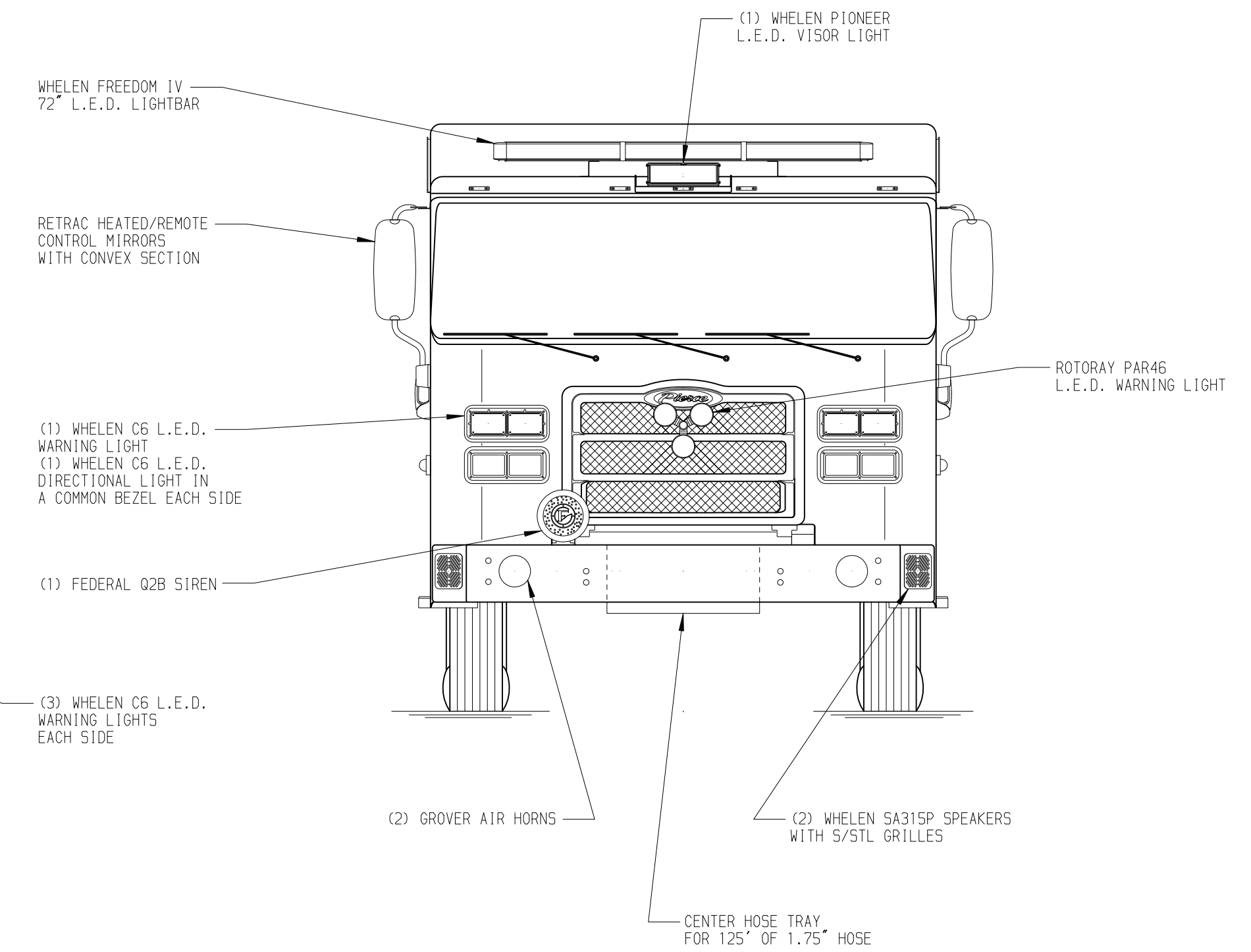
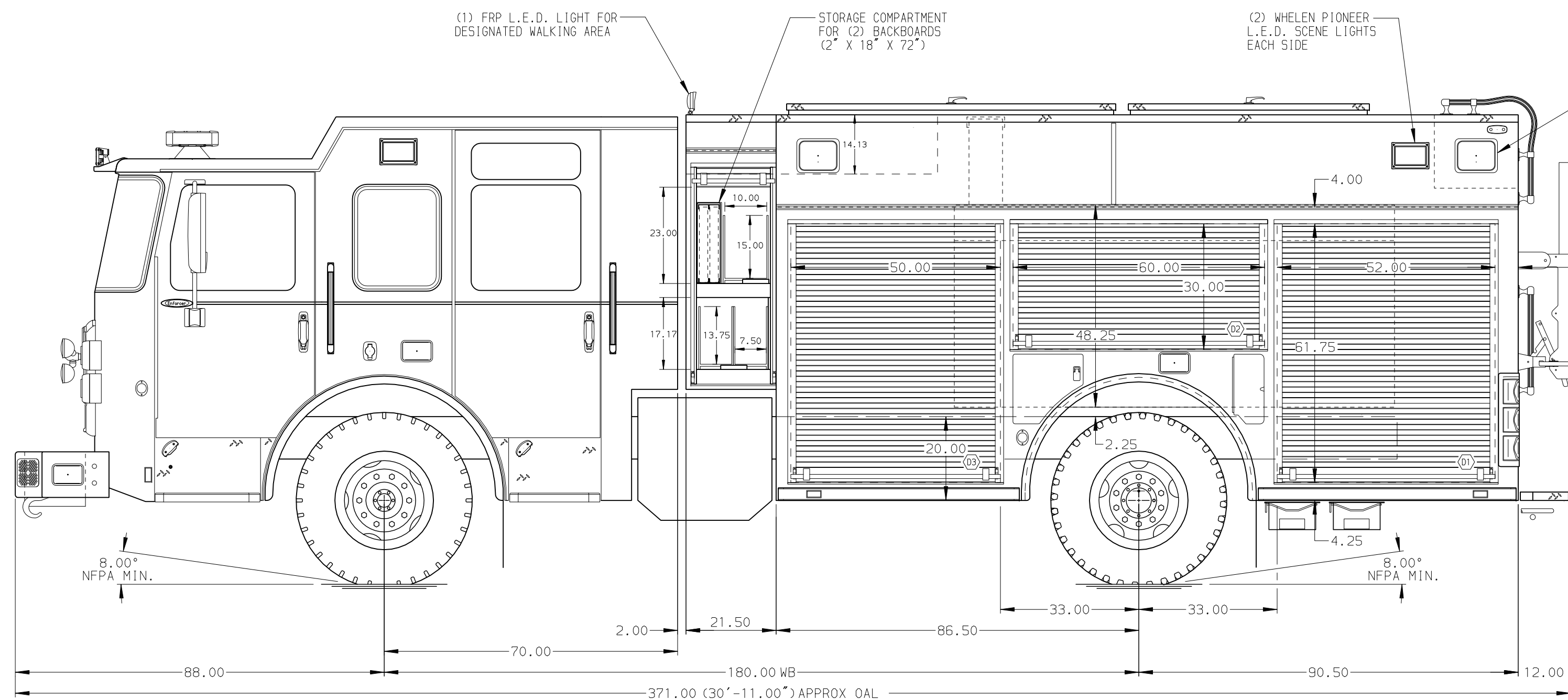
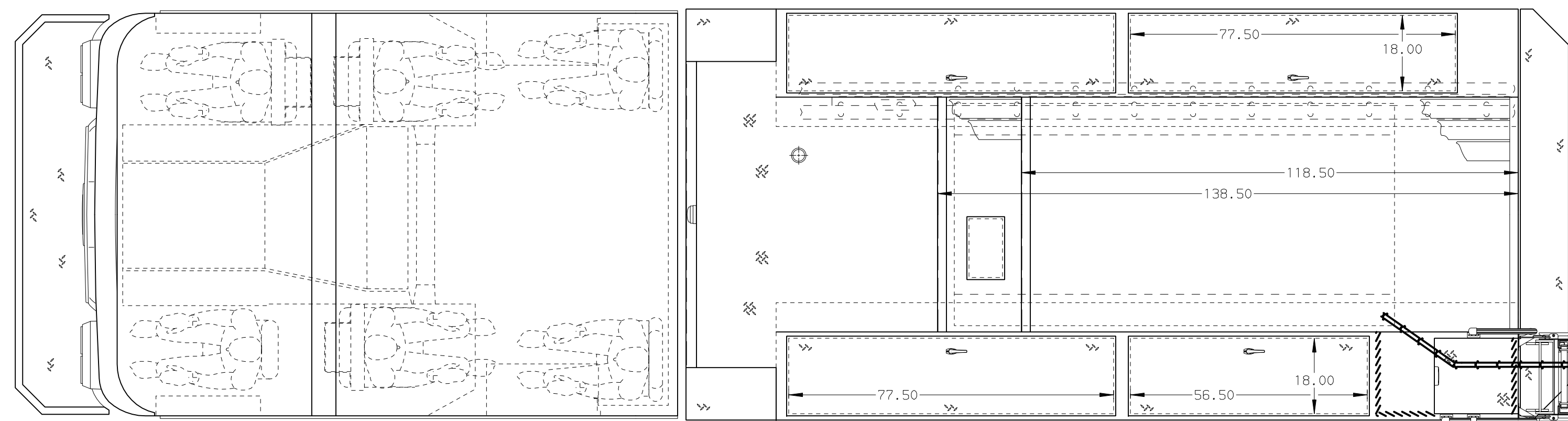
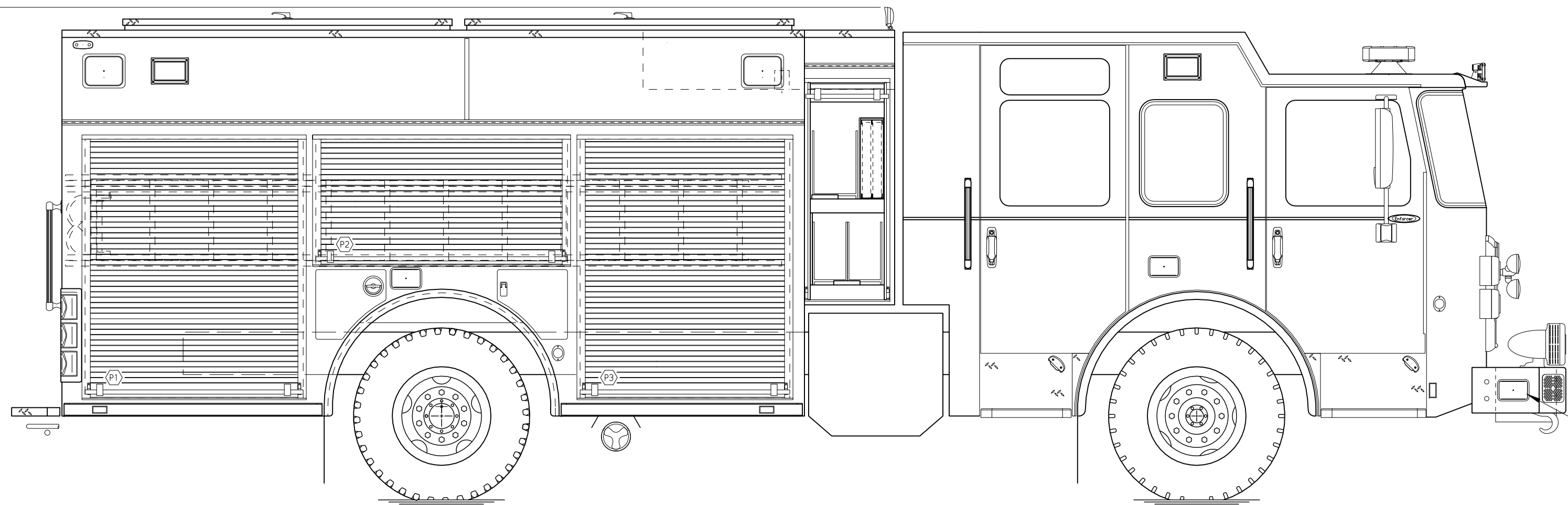
Side Roll and Frontal Impact Protection

NOTE

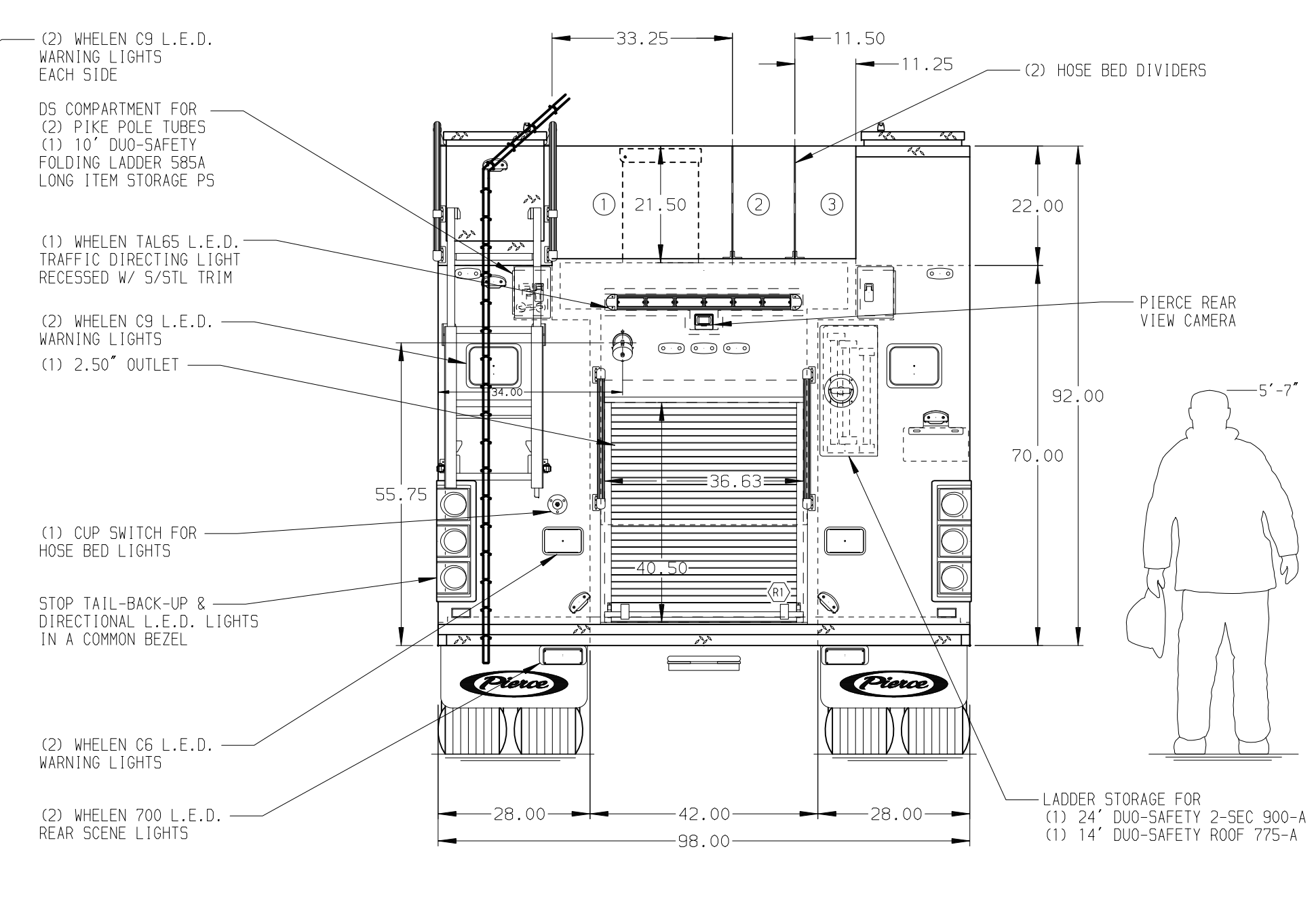
DIMENSIONS SHOWN ARE APPROXIMATE AND ARE SUBJECT TO MINOR DEVIATIONS AS MAY OCCUR OR BE NECESSARY IN CONSTRUCTION. MINOR DETAILS NOT SHOWN.

1. ONE 1.50 OUTLET WITH 2.00 PIPING AND SWIVEL LOCATED IN CENTER BUMPER TRAY
2. SHORELINE RECEPTACLE WITH KUSSMAUL SUPER AUTO-EJECT LOCATED ON DRIVER SIDE OF THE CAB
3. AIR INLET WITH DISCONNECT COUPLING IN THE DRIVER SIDE STEPWELL
4. BATTERY CHARGER LOCATED IN COMPARTMENT PER SHOP ORDER
5. SEVEN ADJUSTABLE SHELVES LOCATED IN COMPARTMENTS PER SHOP ORDER
6. FOUR FLOOR MOUNTED SLIDE-OUT TRAYS LOCATED IN COMPARTMENT PER SHOP ORDER
7. ONE GEAR GRID TOOL GRID SYSTEM LOCATED IN COMPARTMENT PER SHOP ORDER
8. AUTOMATIC TIRE CHAINS

122.00
(10'-2")
APPROX
O.A.H.



HOSEBED CAPACITY	
BED 1	1000' OF 5.00" D.J. POLY HOSE
BED 2	400' OF 3.00" D.J. POLY HOSE
BED 3	400' OF 3.00" D.J. POLY HOSE



		JOB NO.	32217
		SCALE	DATE
TITLE	Pierce PUC Pumper Approval Drawing	DRAWN BY	COL
FOR	Cookeville Fire Department	CHECKED BY	KBO
DWG NO.	32217AD	SHEET SIZE	SHEET NO.
REV	DATE	BY	CH